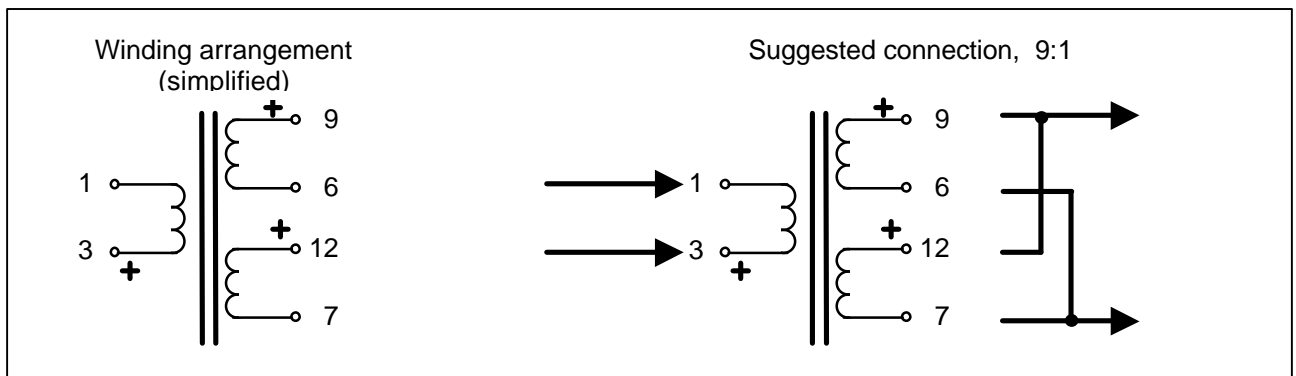
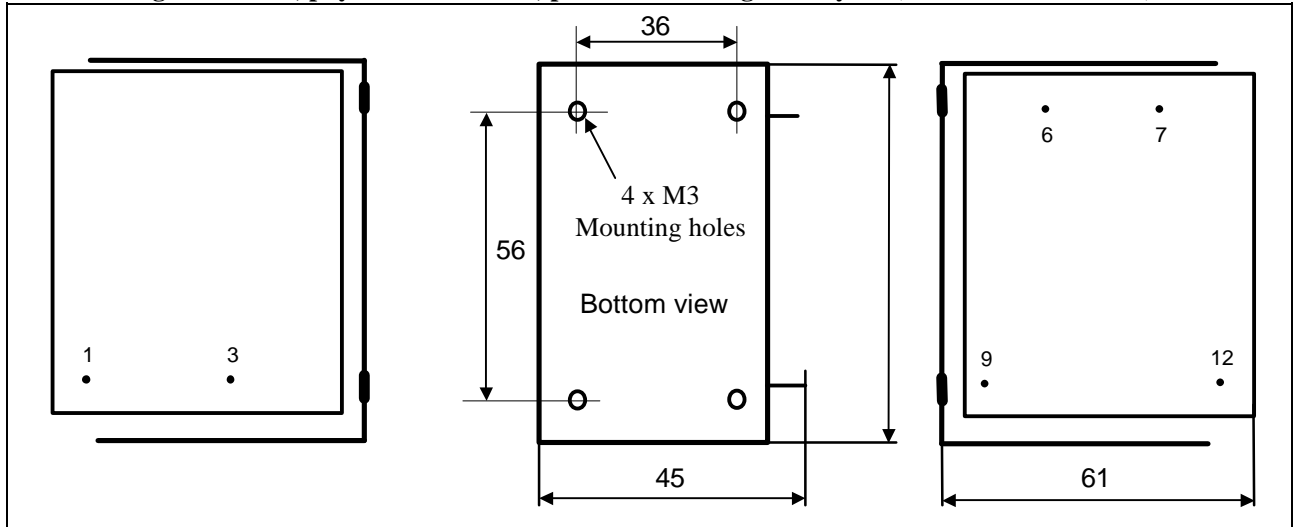


Output Transformer LL3320

Winding schematics, physical dimensions, pin and mounting hole layout (all dimensions in mm)



Weight	0.75 Kg
Turns ratio	9 : 1+1
Static resistance, primary	0.3 Ω
Static resistance, each secondary	< 0.01 Ω
§Max signal at 400Hz	90V rms