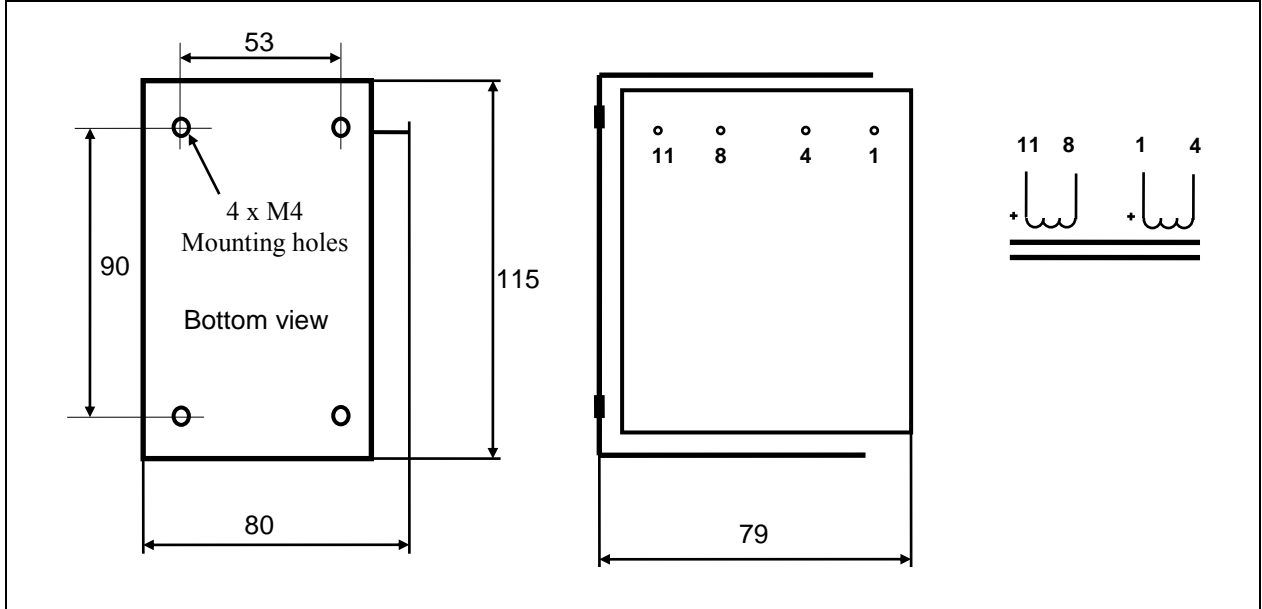


## High Current Choke LL2773

The LL2773 is a 2 coil choke for tube/valve filament current filtering or other high current low voltage applications. The coil is wound using our standard high internal isolation technique with isolation foil between each copper layer. The core is an audio C-core of our own production.

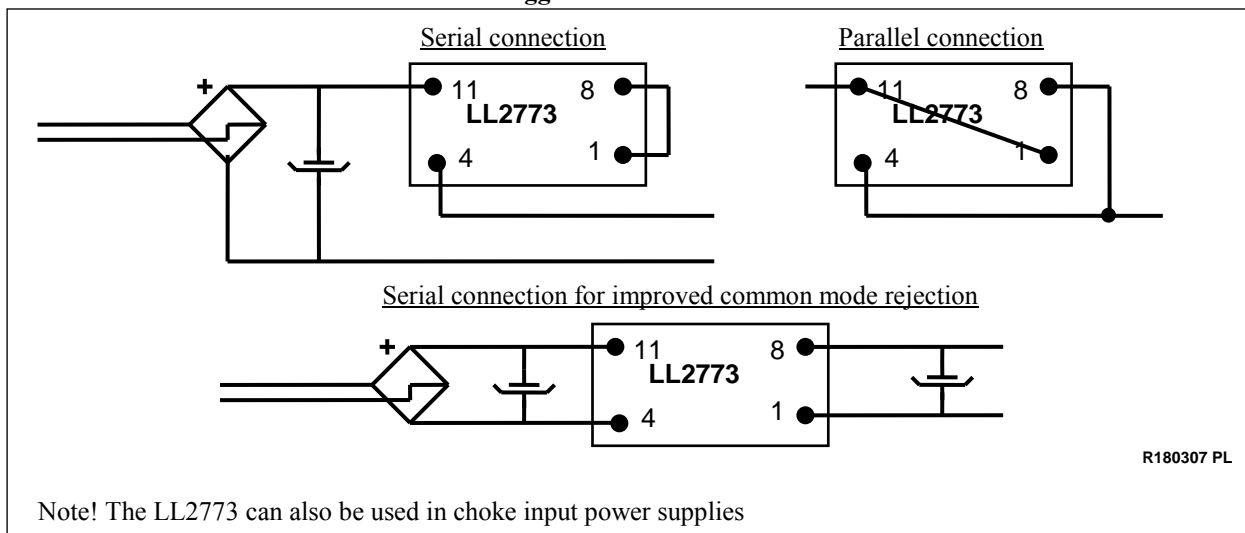
### Winding schematics, physical dimensions, pin and mounting hole layout (all dimensions in mm)



Weight: 2.5 kg  
 Static resistance of each winding: 0.22 Ω  
 Recommended max continuous current through each winding (10W heat dissipation): 4.7 A  
 Isolation between windings / between windings and core: 4 kV / 2 kV

Type	Coils in series			Coils in parallel		
	Approx. Inductance	Recommended DC current (1.25 T)	Saturating current (2.0 T)	Approx. Inductance	Recommended DC current (1.25 T)	Saturating current (2.0 T)
LL2773 / 3.5A	95 mH	3.5 A	5.6 A	23 mH	7 A	11.2 A
LL2773 / 5A	65 mH	5 A	8 A	16 mH	10 A	16 A
Max. ripple voltage at rec. DC current (Ripple voltage is approx. 0.42 x input voltage)	70 V rms / 100 Hz			70 V rms / 100 Hz		

### Suggested connections:



R180307 PL

Note! The LL2773 can also be used in choke input power supplies