

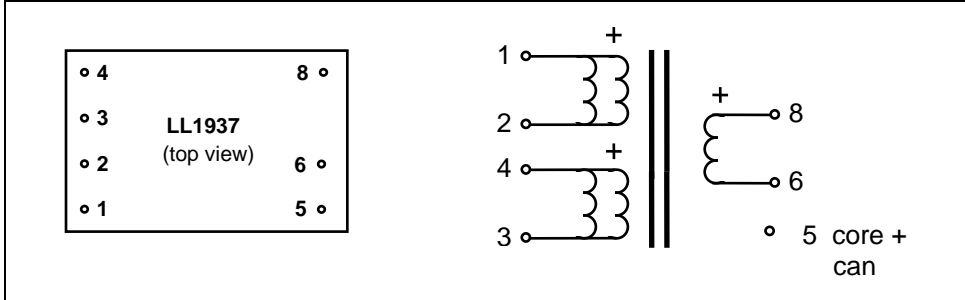
Moving Coil Transformer LL1937

The LL1937 is small size transformer for impedance matching between MC cartridges and phono preamps. The LL1937 consists of two three-section coils and a high permeability mu-metal core. The transformer is housed in a mu-metal can.

Turns ratio:

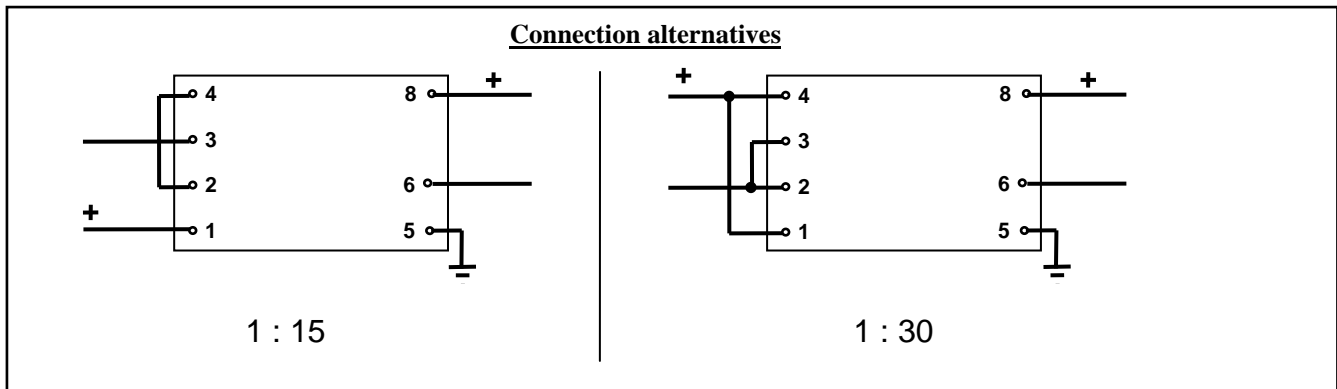
1 + 1 : 30

Pin layout (viewed from component side) **and winding schematics:**



Dimensions Max. Length x Width x Height above PCB (mm)	Spacing between pins	Spacing between rows of pins	Recommended PCB hole diameter	Weight
28 x 17.5 x 12	3.81 mm(0.15")	20.32 mm (0.8")	1.5 mm	18 g

	LL1937
Turns ratio	1 + 1 : 30
Static resistance of each primary	1.7 Ω
Static resistance of secondary	660 Ω
Isolation between windings / between windings and shield	3 kV / 1.5 kV



Application hint:

As the LL1937 does not have Faraday shields, both sides of the transformer should have a common ground reference.