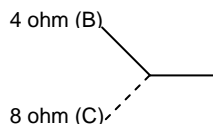
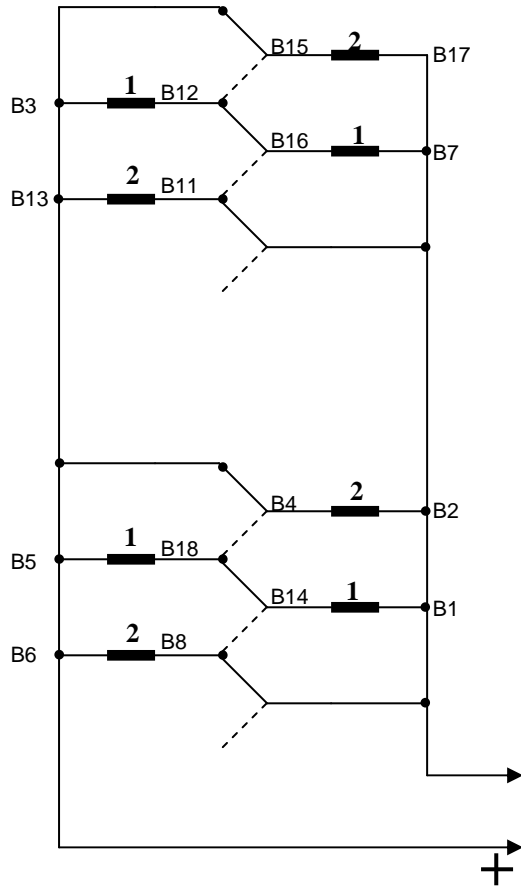


Connection alternatives for LL1688, secondary connections B and C



R091005 PL