

AB LARS LUNDAHL

Tibeliusgatan 7
S-761 50 NORRTÄLJE
SWEDEN

Phone: Int +46-176 139 30
Nat 0176-139 30

Fax: Int +46-176 139 35
Nat 0176-139 35

Choke / Transformer for Ribbon Loudspeaker LL1624

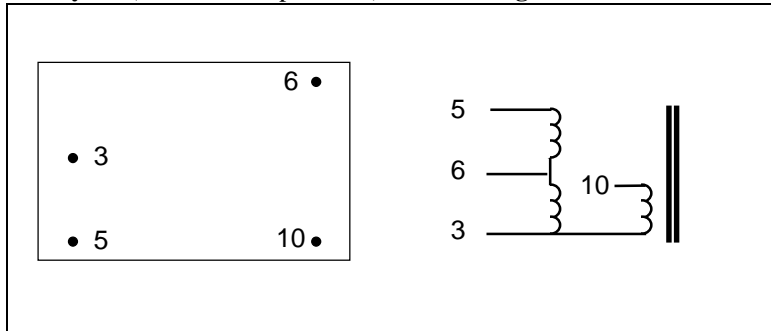
LL1624 is a choke / transformer to be used in a loudspeaker filter driving the HF Ribbon Loudspeaker

Turns ratio: 14:1 (Prim and sec. connected)

Dims (Length x Width x Hight above PCB (mm)): 41 x 26 x 20

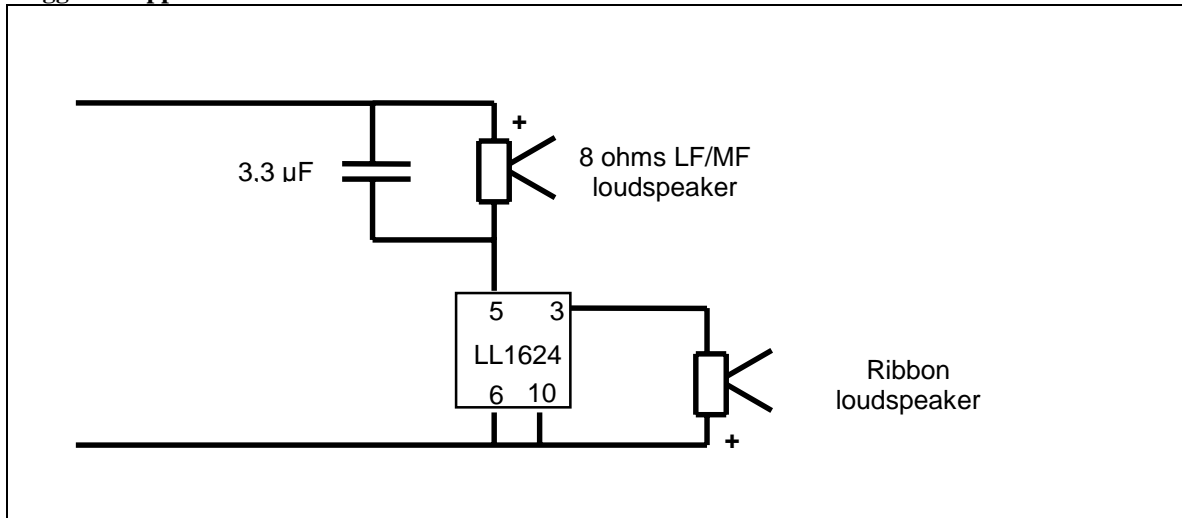
Inductance (between pins 3 and 4) 0.21 mH

Pin layout (viewed from pins side) and winding schematics:



The transformer is designed for a 8 ohms system, division frequency at 6kHz

Suggested application:



R940914