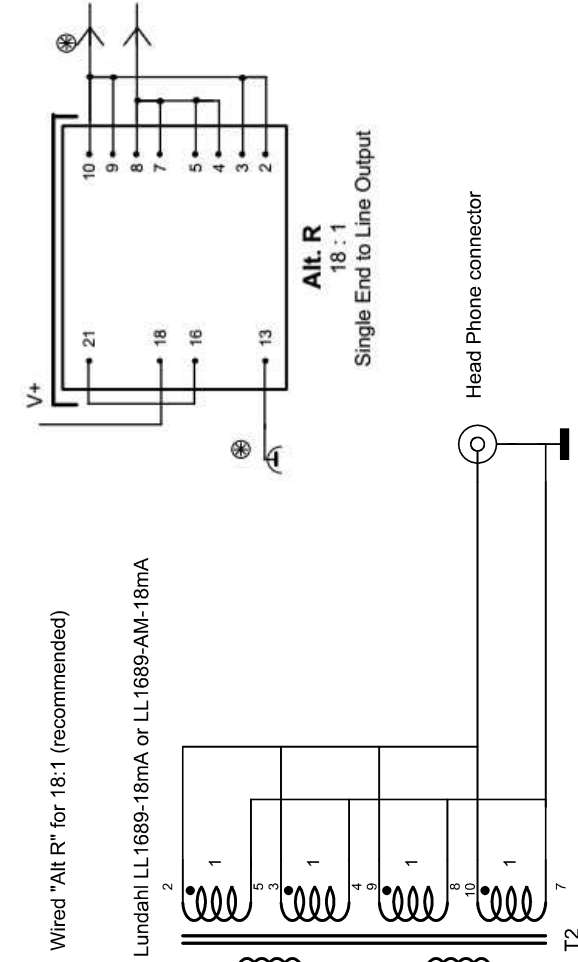


1

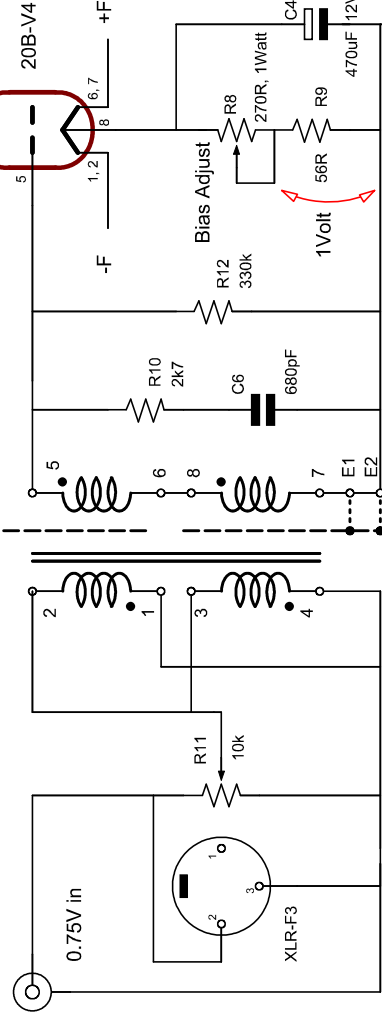
Head Phone amplifier Specifications:

- Output impedance 20 Ohms
- Amplification factor: 2x
- Input Impedance 10k
- No coupling capacitors

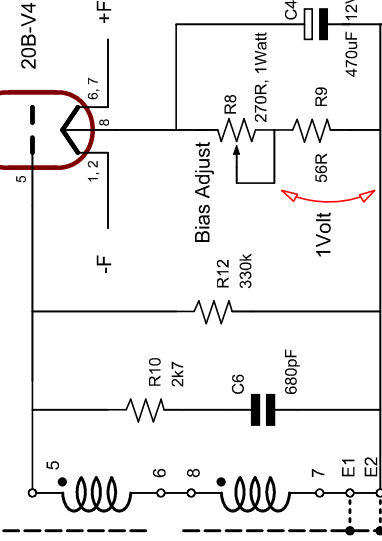


2

RCA Jack with isolated ground



3



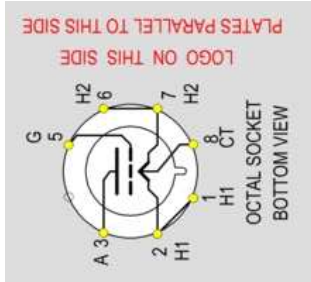
Resistor of 47k can be lowered, if another input impedance is preferred

Network of 2k7 and 680pF is optional for improved square wave response.

Connect F+ and F- to stabilized 5 Volt Supply, with floating output.

First set Bias Potmeter for maximum resistance Then adjust for 1 Volt across 56 Ohms Resistor. Mount Bias pot meter such that all clockwise = Zero ohms. Like this, bias adjustment works clockwise for higher bias.

Bias Adjustment, allows nicely 18mA, so to use LL1689 and V20B-4 best way. Second, this allows some variation on the supply voltage of 250Volt, which does not need to be very precise now.



20B-V4 Connections

4

Attention:

You may publish this page on a private website, as long as you don't change it
 Any form of commercial use needs our written permission
 JAC Music Company * Horber Steige 25 * Sulz * Germany

Revisions

Date	Name	Drawn	Date	Name
		JW	14-Dec-2017	JW

Dipl. Ing. Jac van de Walle



Name:

20B-V4 head phone Amplifier

Copyright www.jacmusic.com
 Drawing Nr.:

Page: