

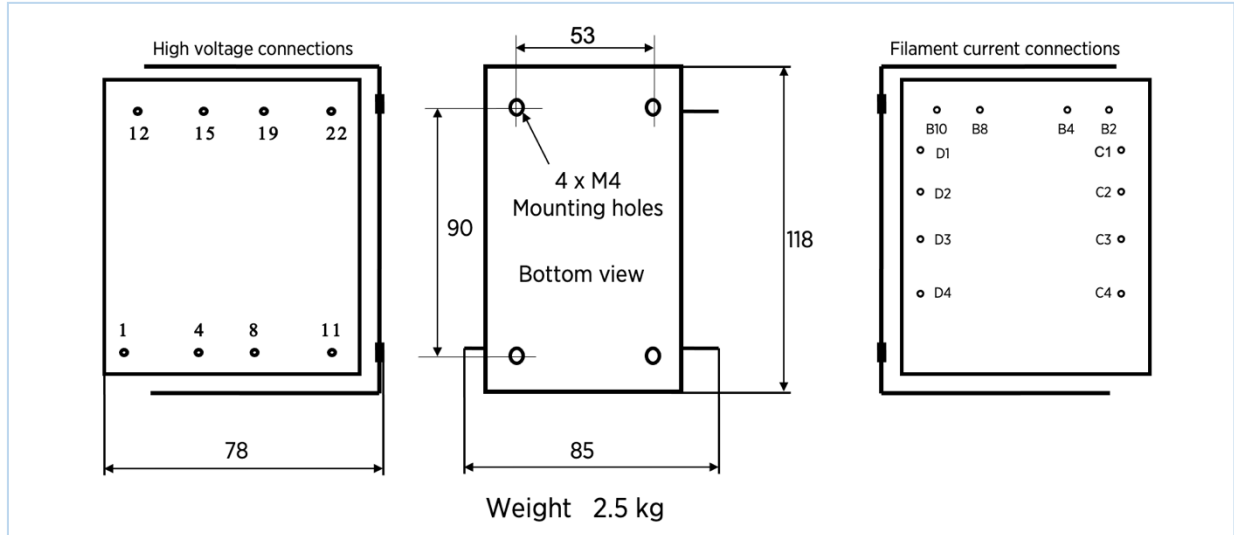
# LUNDAHL

— TRANSFORMERS —

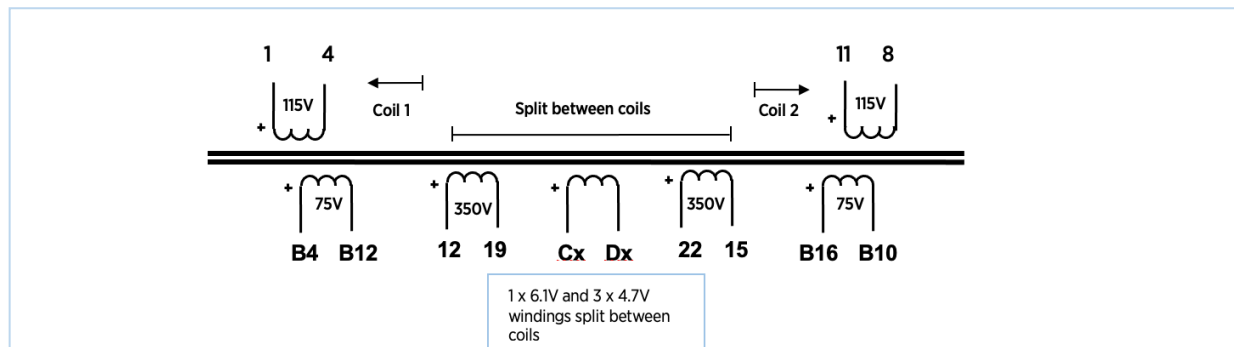
## Mains Transformer LL2792

C-core mains transformer for 300B amplifiers. 350V-0V-350V, 0.2A + 150V, 0.1A + 6.1V, 2A + 3 x 4.7V, 3A

### Physical dimensions, pin and mounting hole layout (all dimensions in mm)



### Winding schematics:



R210629 PL

### Winding voltage (rms) at nominal load current, and coil resistance.

Winding	Prim 1, 2 Pins 1 - 4 Pins 11 - 8	Sec 1, 2 Pins 12 - 19 Pins 22 - 15	Sec 3,4 Pins B4 - B2 Pins B10 - B8	Sec 5 Pins C4- D4	Sec 5, 6, 7 Pins C3 - D3 Pins C2 - D2 Pins C1 - D1
Load voltage/current Resistance (each winding)	115V 4Ω	350V/0.2A 42Ω	150V/0.1A 10Ω	6.1V/2A 0.17Ω	4.7V/3A 0.13Ω
Usage	115V / 230V	350V-0- 350V 350V - 0V	0-150V	6.1V	3 x 4.7V
Connection	<b>115V</b> In* 1+11 In∓ 4+8	<b>Full wave:</b> Out* 12 CT 19+22 Out∓ 15	<b>150V:</b> Out* B4 Out∓ B10 Connect B12+B16	<b>6.1V:</b> Out* C4 Out∓ D4	<b>3 x 4.7V:</b> Out* C3 Out∓ D3
	<b>230V</b> In* 1 In∓ 8 Connect 4+11	<b>Bridge:</b> Out* 12+22 Out∓ 19+15	<b>75V:</b> Out* B4+B16 Out∓ B12+B10		Out* C2 Out∓ D2
					Out* C1 Out∓ D1

\* and ∓ are used to indicate phase