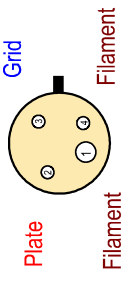
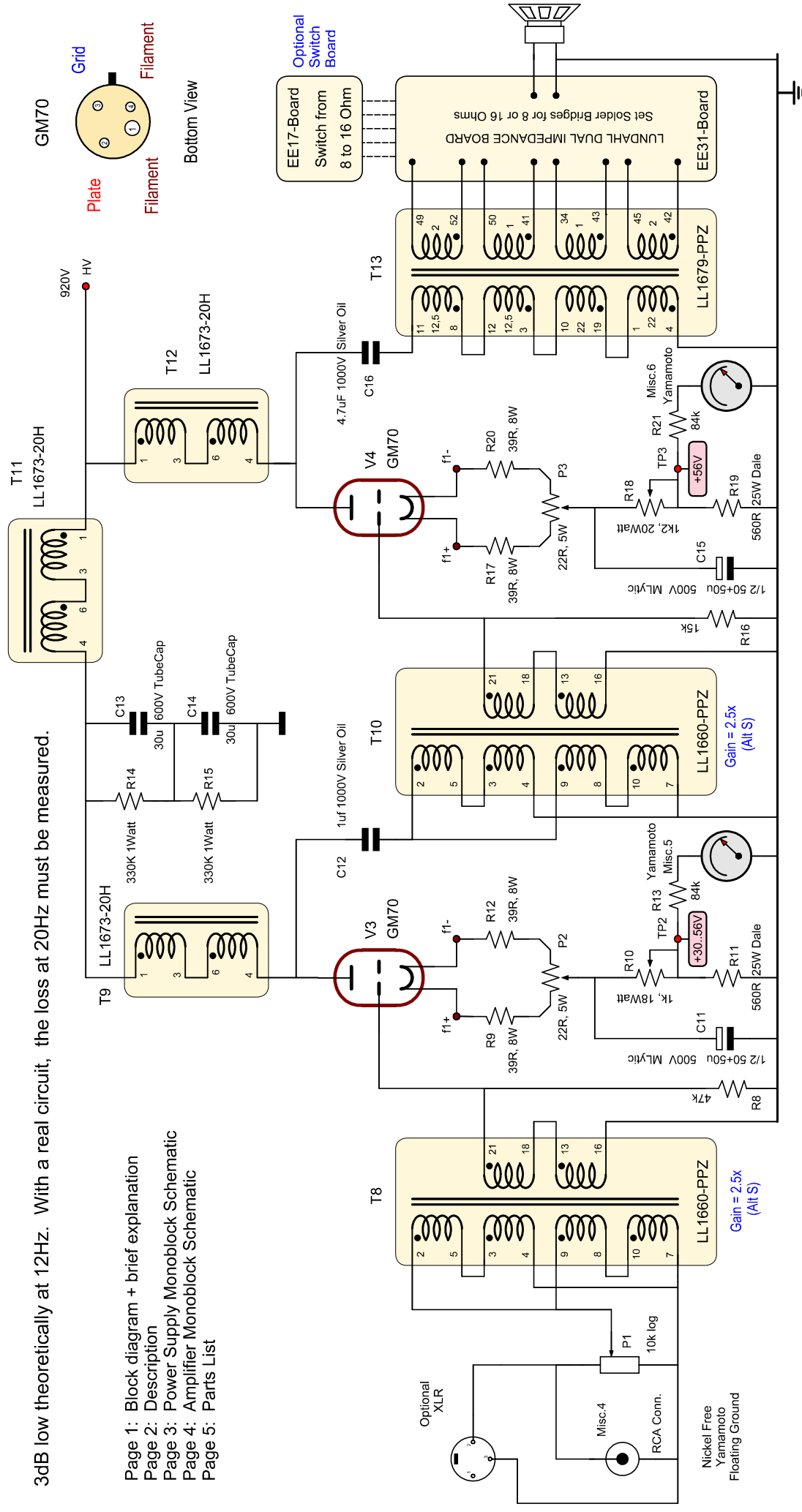


3dB low theoretically at 12Hz. With a real circuit, the loss at 20Hz must be measured.

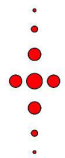
- Page 1: Block diagram + brief explanation
- Page 2: Description
- Page 3: Power Supply Monoblock Schematic
- Page 4: Amplifier Monoblock Schematic
- Page 5: Parts List



Bottom View

Copyright Notification

We have copyright on this schematic.
Emissionlabs is a registered brand name.
Private use if this schematic is allowed.
Internet publication, or other forms of copying or use,
is only allowed with our written permission.



EMISSION LABS

Revisions

Date	Name	Date	Name
9-Jan-2013	V1.0	08-Feb-2021	V1.4
28-Dec-2017	V1.2		
20-Aug-2019	V1.3		

Name:

GM70 Parafeed, Amplifier Monoblock
With even harmonics cancellation

Date

24.6.10

Drawn

JW

Name

Dipl. Ing. Jac van de Walle



Date

24.6.10

Drawn

JW

Name

Dipl. Ing. Jac van de Walle

Date

24.6.10

Drawn

JW

Name

Dipl. Ing. Jac van de Walle

Date

24.6.10

Drawn

JW

Name

Dipl. Ing. Jac van de Walle

Date

24.6.10

Drawn

JW

Name

Dipl. Ing. Jac van de Walle

Date

24.6.10

Drawn

JW

Copyright www.jacmusic.com
Drawing Nr.:

Page:
4 of 4