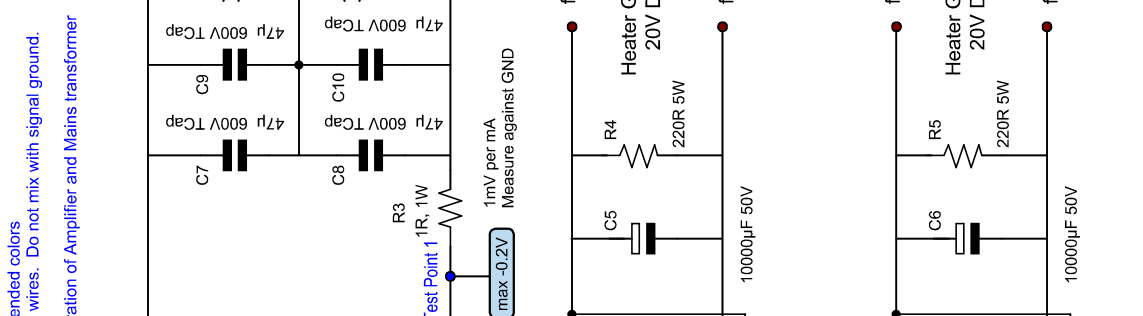
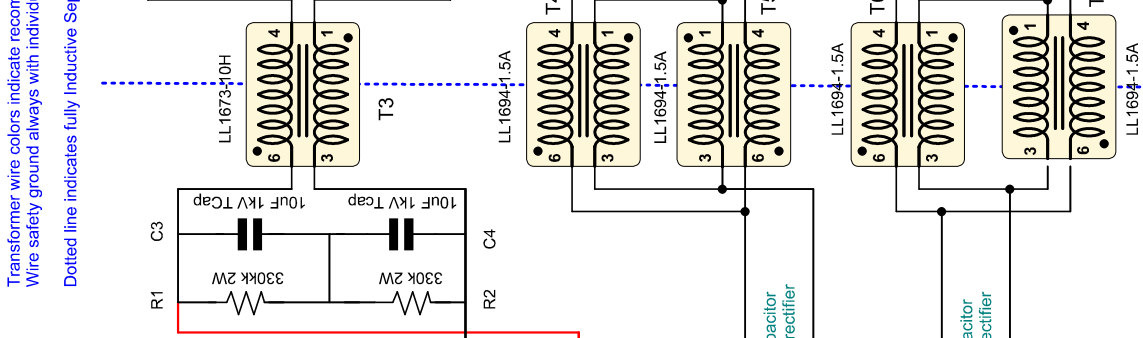
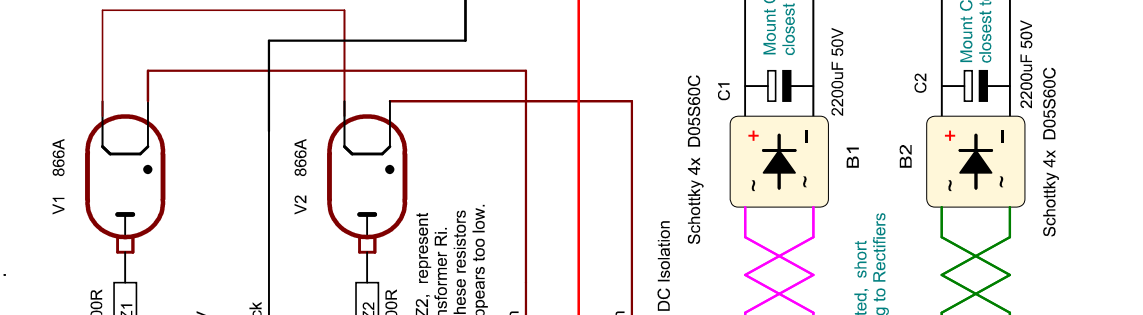
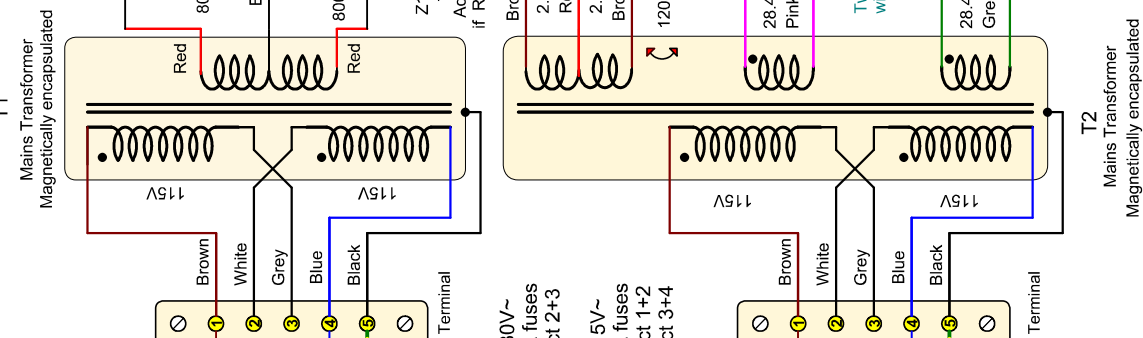
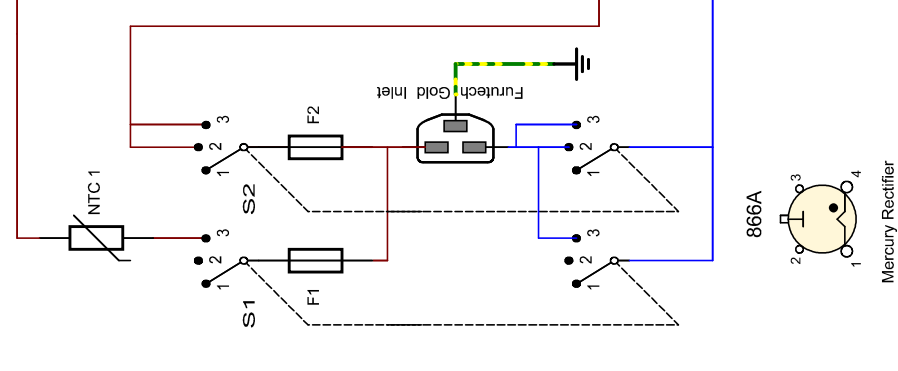



ON/ OFF Instructions:
 1 = OFF
 2 = Pre-heat Mercury rectifiers until glass is clear
 3 = PLAY

At Switch off, wait in Pos. 2, until plate current is zero.
 Then switch to OFF position



Transformer wire colors indicate recommended colors
 Wire safety ground always with individual wires. Do not mix with signal ground.
 Dotted line indicates fully Inductive Separation of Amplifier and Mains transformer

Attention:
 You may publish this page, but only unchanged and with our company as source.
 Any form of commercial use needs our written permission
 JAC Music Company * Horber Steige 25 * Sulz * Germany

Revisions		Date	Name
Date	Name	24.6.10	JW
9.1.2013	V1.1	Dipl. Ing. Jac van de Walle	
14.2.2018	V1.2		
29.8.2019	V1.3		

Name:
 GM70 Parafeed, Monoblock Power Supply
 With even harmonics cancellation

Copyright www.jacmusic.com
 Drawing Nr.: